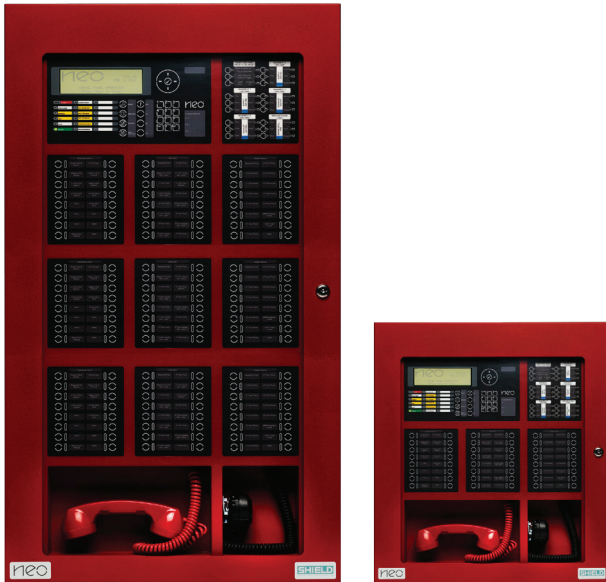


CONFIGURED COMMAND CENTERS



FEATURES

- 1, 2 and 4 SLC Loop Options.
- Integral 80 Watt Amplifier.
- Built-in Paging Microphone.
- Configured with One NX-EM-ASW-16 Switch LED Module.
- Networkable – up to 200 Intelligent Panels.
- Integrated 80 Watt Digital Audio Features include:
 - 2 Class A or B, 40 Watt, 25 Vrms Outputs.
 - Programmable 16 Channel Message Generator.
 - Automatic one-to-one Backup Capability.
- Local internally mounted Microphone and Switches provide:
 - All call, Alert and Selective Messaging and Paging by Zone or Area.
- Up to 504 Analog Addressable Points.
- Multiple Command Centers w/Control Options.
- Mass Notification Programming Options.
- Synchronized Audio and Visual Control (Panel or Network Wide).
- NX-VB Boosters expand Audio Wattage (16 per panel).

LISTINGS AND APPROVALS

- ETL ANSI/UL 864.

PRODUCT INFORMATION

The NEO Series Configured Command Centers from Shield have been designed to support a wide variety of applications. The command centers are fully compatible with the NEO Series Intelligent Fire Alarm Control Panels with Integrated Audio.

NEO Series Configured Command Centers come in 3 variations: NX-FACC-1 (Single Loop), NX-FACC-2 (Two Loops) and NX-FACC-4 (Four Loops). Each command center comes in a 22.6”H x 20.3”W x 5.5”D cabinet and includes: one NX-ACS-DSP, keyboard display, one main base card (configured for 1,2 or 4 SLC loops), one NX-ACS-ACB, AC input board, an NX-AMP-80, audio amplifier (two 40 Watt speaker outputs), one NX-EM-PSU6, amplifier power supply and one NX-EM-ASW-16, switch LED module.

The command center cabinet has been designed to support a wide range of additional option modules to suit specific application requirements. The option modules provide the following capabilities: DACT, city tie, networking, modem, I/O drivers, switch and relay modules, as well as many others. Consult with the factory for more details on the NEO Series module range.

In order to simplify installation, programming, troubleshooting, training and support, all of the NEO Series fire panels & command centers can be programmed using the same Windows based programming tools. In addition, a “family” consisting of all of the NEO Series main PCBs, option modules, peripherals and intelligent devices are fully compatible across the full range of NEO Series fire panel & command center products.

In order to simplify control and operation of a large, networked, wide area or high rise system, each command center will support up to 252 individually assignable switches through use of up to sixteen NX-EM-ASW-16, Switch LED Modules. These modules mount to the inner doors of the command centers. The switch action may be either toggle, on/off or push button. Each switch is associated with 3 LEDs that are red, yellow and green. These LEDs are each fully programmable and can be set to turn on steady and/or to blink. A large area is made available per switch and LED for user defined text that may clearly identify the intended function. With such

versatility, operation and control is simplified, status is readily available and quickly identified.

Examples of switch operations include: Fan and HVAC control, paging area select, message select, telephone control, purging, zone/area/point bypass, etc. The total number of switches supported across a maximum configured network is 51,200. A key feature is that individual switch and LED response time is not affected by the size of the network and each switch and LED can be assigned to network functions as well as individual panel functions.

BUTTON (KEYS)

	Reset
	Ack (panel buzzer acknowledge)
	Resound (resound signals)
	Silence (silence signals)
	Fire Drill
	Function Keys (3 - programmable control buttons)
	Navigation Keys (up, down, left, right and tick [center])
	12 Button Keypad (numbers, letters, esc and menu)

LED INDICATORS

Alarm	Red
Pre-Alarm	Red
Disable	Yellow
Test	Yellow
P.A.S.	Yellow
Power	Green
Supervisory	Yellow
NAC Silenced	Yellow
NAC Trouble	Yellow
NAC Disabled	Yellow
System Trouble	Yellow
Programming	Yellow
Programmable LED 1	Red
Programmable LEDs 2-5	Yellow

Graphical Liquid Crystal Display

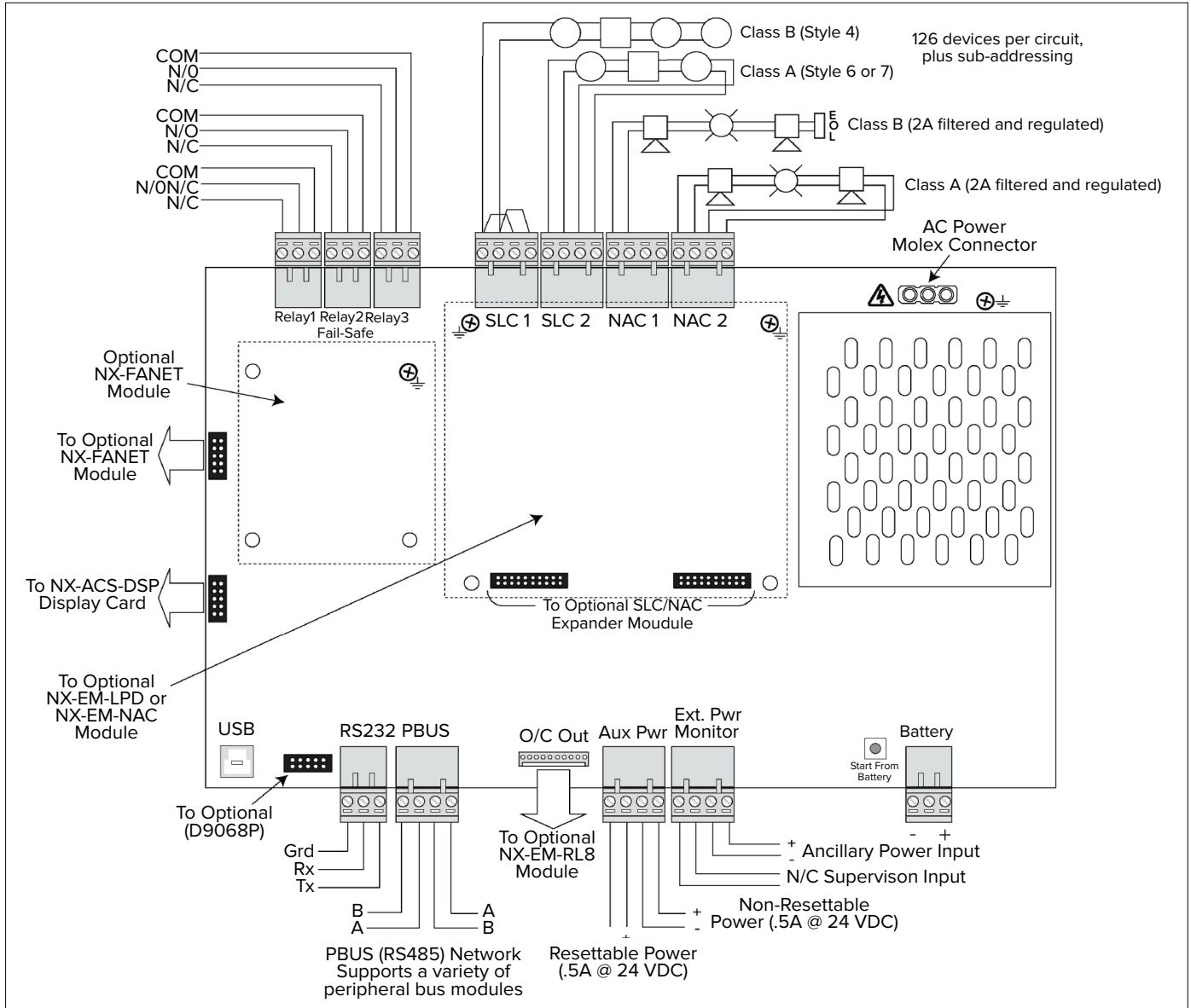
LED Status Indicators **Control Buttons** **12 Button Keypad (Numbers & Letters)**

User Interface w/Graphical LCD:

Designed to be user-friendly and easy to operate, the Shield User Interface w/Graphical LCD (backlit 240 x 64) is the information and control center for the NEO Series Intelligent Fire Alarm Control Panel(s).

The unit incorporates a graphical LCD display. LED status indicators, control buttons (including 3 programmable buttons), navigation buttons, and a 12 button keypad for complete system status, interrogation and control.

WIRING DIAGRAM



SPECIFICATION

Operating Voltage	120 VAC (1.4A) - 240 VAC (0.7A), 50/60 Hz	
System-Brown-Out	98 VAC nominal	
Battery Circuit		
Charging Voltage	27.4 VDC nominal	
Temp. Compensated Charging Current	2 Amp	
Battery Derating Factor	0.83 A	
Battery Capacity	7 Ah (minimum), 48 Ah (maximum)	
Battery Fuse	5 A @ 240 VAC, Time Delayed, Ceramic, High Breaking (In-line Wire Link)	
Fire, Supervisory, and Trouble Relays	(Power Limited - when utilizing system power)	
Type	Form "C"	
Rating	1 A @ 30 VDC/VAC	
Trouble Relay	Normally Active (fail-safe operation)	
Auxiliary Power Outputs	(Power Limited)	
Resettable Voltage	24 VDC	
Resettable Current	0.5 A	
Reset Time	10-15 Seconds	
Non-Resettable Voltage	24 VDC	
Non-Resettable Current	0.5 A	
Humidity	85% RH	
Temperatures	4.5 lb	
Operating Recommended Room	32 °F - 120 °F (0 °C - 49 °C) 60 °F - 86 °F (15 °C - 27 °C)	
Enclosure Dimensions (H x W x D)		
Back Box	22.6" x20.3" x 5.5"	
Housing	24.1" x21.5" x 6.3"	
SLC Loop	(Power Limited)	
Class (Style)	Class A or B (Style 4, 6 or 7)	
Voltage	24 VDC	
Minimum Return Voltage	17 VDC	
Current	0.5 A	
NAC Circuits	(Power Limited)	
Class (Style)	Class A or B	
Voltage	24 VDC (filtered and regulated)	
Minimum Return Voltage	16 VDC	
Current	2 A (each)	
Maximum Voltage Drop	3 VDC	
Maximum Line Impedance	1.5 Ω	
RS232	Supervised, Optically Isolated	
Baud Rate	9600	
Parity	None	
Data Bits	81	
Stop Bits	1	
Base Card Operating Current	Quiescent	Alarm
NX-ACS-1L	110 mA	195 mA
NX-ACS-2L	110 mA	195 mA
NX-ACS-4L	175 mA	260 mA
NX-AMP-80	24 VDC (operating range 15-30 VDC)	
Input Voltage (DC)	40 Watts @ 25 Vrms, Class A or B Wiring	
Amplifier #1 Output	40 Watts @ 25 Vrms, Class A or B Wiring	
Amplifier #2 Output	RS-485 (PBus) or Contact Closure	
Activation	Supervised Microphone Input	
NX-MIC		

ORDERING INFORMATION

NX-FACC-1	NEO Series Command Center with cabinet, 2 power supply's/chargers, 1 SLC, 2 NACs, two 40 watt speaker circuits, 1 NX-EM-ASW-16 switch LED module and microphone (126 addressable points)
NX-FACC-2	NEO Series Command Center with cabinet, 2 power supply's/chargers, 2 SLC, 2 NACs, two 40 watt speaker circuits, 1 NX-EM-ASW-16 switch LED module and microphone (252 addressable points)
NX-FACC-4	NEO Series Command Center with cabinet, 2 power Supply's/Chargers, 4 SLC, 4 NACs, two 40 watt speaker circuits, 1 NX-EM-ASW-16 switch LED module and microphone (504 addressable points)
NX-FACP Base Card Option Modules	
NX-EM-LPD	2 SLC, 2 NAC Expander Card
NX-EM-NAC	2 NAC Expander Card
NX-EM-PSU	5 Amp Expansion Power Supply Module
NX-FANET4	Network Interface Card (Style 4)
NX-FANET7	Network Interface Card (Style 7)
NX-EM-012	Thermal Strip Printer
NX-AMP-80 amplifier option module:	
NX-ZS	Audio zone splitter module
NX-V70	Universal audio converter (Converts 25 Vrms to 70 Vrms)