

FIREFIGHTER HANDSETS



FEATURES

- Made from high impact plastic.
- Available in Standard or Push-to-Talk Handset.
- Built-In Noise Filter.
- Lightweight.

LISTINGS AND APPROVALS

- ETL ANSI/UL 864.

PRODUCT INFORMATION

The NX-TEL2-P and NX-TEL2-PT portable handsets from NEO are lightweight, durable and made of high impact plastic.

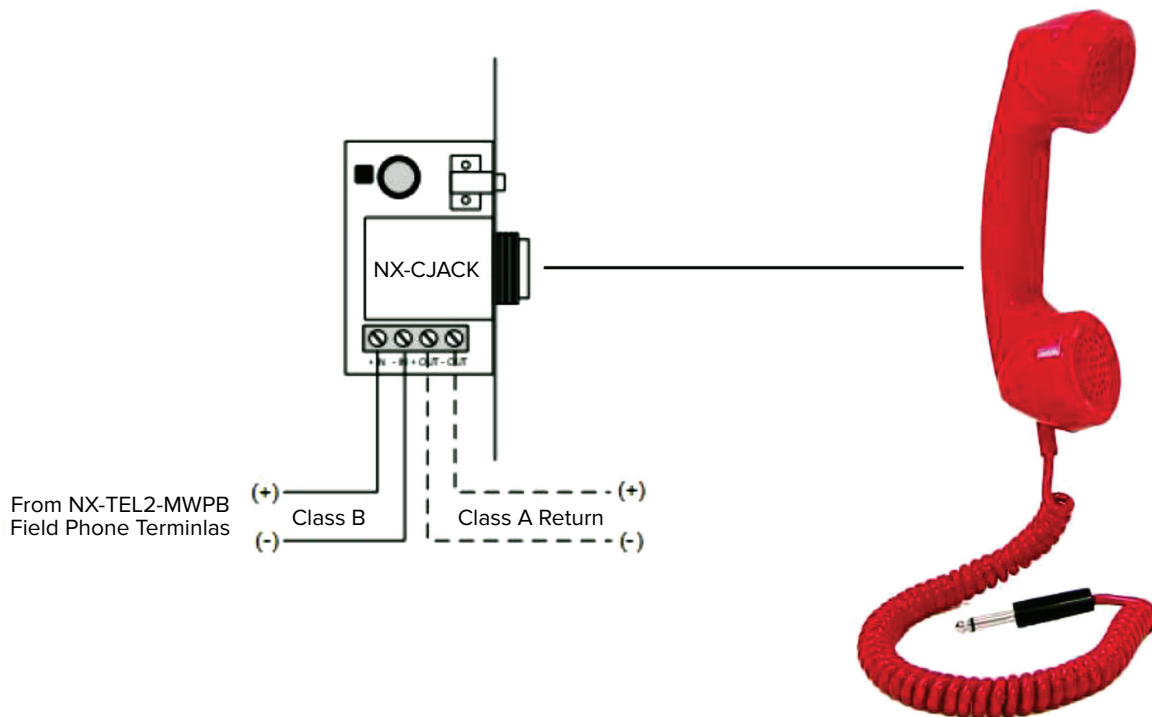
The handsets come with an RCA ¼" plug and are designed to be used with the NEO NX-CJACK conventional firefighter phone jack.

The NX-TEL2-P uses an NEO Standard firefighter phone, while the NX-TEL2-PT uses a Push-to-Talk firefighter phone.

The Push-to-Talk phone option allows more than five phones to be connected (active) on the telephone riser without audio degradation.

Each Push-to-Talk phone only adds resistance to the telephone riser circuit when the user presses the Push-to-Talk button and communicates on the telephone riser.

WIRING DIAGRAM



ORDERING INFORMATION

NX-TEL2-P	Portable Firefighter Handset (red) with RCA 1/4" plug
NX-TEL2-PT	Push-to-Talk Portable Firefighter Handset (red) with RCA 1/4" plug
NX-TEL2-NCMS	Noise Canceling Microphone for Standard Phone
NX-TEL2-NCMS	Noise Canceling Microphone for Push-to-Talk Phone