

**SHIELD**<sup>TM</sup>  
*Trusted Worldwide*



# FLEXIBLE SPRINKLER

DROP SYSTEM

Extreme Performance





# INTRODUCTION

SHIELD is a company created to cater to the infrastructure, fire protection and building services industries with a comprehensive range of products designed to be competitive and of assured quality.

We stay ahead of today's evolving market requirements by committing to a program of continued research and development.

We are able to maintain our high standards by ensuring that our worldwide manufacturing networks are the most advanced in the industry in Europe, Asia and America in terms of quality and delivery lead time. Our fully experienced and professional staff is there to provide engineering expertise and after sales service exactly when you need it.

Combine this with highly responsive and customer focused network of distribution centres around the world, you will find that customer satisfaction is what we excel at.

We are justifiably proud of our global client base. With offices and facilities in the UK and Middle East, we are able to comprehend the specific needs of your particular region.

# TABLE OF CONTENTS

<b>1</b>	<b>Flexible Sprinkler Drop</b>
2	<i>Introduction</i>
3	<i>SDF-B (UL, LPCB)</i>
4	<i>SDF-B (FM)</i>
5	<i>SDF-N (UL, LPCB)</i>
6	<i>Braided SDF-BA (UL)</i>
7	<i>SDF-BA (FM)</i>
8	<i>Unbraided SDF-NA (UL)</i>
9	<i>SDF-BC (UL)</i>
10	<i>SDF-BC (FM) + SDF-NC (UL)</i>
11	<i>SDF-BCA (UL) + SDF-BCA (FM)</i>
13	<i>SDF-BD (UL)</i>
14	<i>SDF-BD (FM) + SDF-ND (UL)</i>
15	<i>Elbow &amp; Bracket</i>

# Save

Time, Labour & Money

# Flexible Sprinkler Drop

## Introduction

The SHIELD Flexible Sprinkler drop stainless steel hose fitting, which delivers an inimitable solution for the fire-fighting sprinkler industry. SHIELD hoses are manufactured with corrosion resistant material complying ANSI Grade 304 stainless steel, providing flexibility, high performance durability and reliability.

For safe, quick and cost effective installation on site, SHIELD hose assemblies are supplied as a complete package with a light weight galvanized bracketing system. SHIELD flexible hose systems can be directly installed to the mains water supply line without the need of any special tool.



# Flexible Sprinkler Drop



## Features:

Hose Diameter	26.8mm, OD (26.2mm, ID)
Max. Ambient Temperature	225°F (107°C)
End Connections	1/2" or 3/4" Outlet Reducer for Sprinklers (NPT/BSPT) 1" Inlet Nipple for Rigid Pipes (Threaded NPT/BSPT)
Hose Material	Stainless Steel 304
Reducer / Nipple Material	Carbon Steel

- 300 Series Stainless Steel Flexible Hose with Two Slip Nuts
- Hose Inlet Nipple (Threaded End - 1" NPT or BSPT)
- Hose Outlet Reducer (Sprinkler Connections - 1/2" or 3/4" / NPT or BSPT)

## SDF-B (UL, LPCB)

Length mm	Rated Pressure		Outlet Connection in	Assembly Length ft (mm)	Maximum Number of 90° Bends	Minimum Bend Radius in	Equivalent Length of 1 in Schedule 40 pipe (c=120) ft
	UL psi	LPCB bar					
700			1 x 1/2	2.3 (700)	2		26
			1 x 3/4				31
1000			1 x 1/2	3.3 (1000)			45
			1 x 3/4				50
1200	200	14	1 x 1/2	3.9 (1200)	3	4	51
			1 x 3/4				55
1500			1 x 1/2	4.9 (1500)			66
			1 x 3/4				70
1800			1 x 1/2	5.9 (1800)			69
			1 x 3/4				74

Intended use: Wet & Dry System



NOTE: Please refer to UL/LPCB certificates for more details.



# Flexible Sprinkler Drop

## SDF-B (FM)

Length mm	Rated Pressure Psi	NPT in	Hose Assembly Length in (mm)	K-Factor	Number of Bends	Minimum Bend Radius in	Equivalent Length of 1 in Schedule 40 pipe ft
700	200	1/2	28 (700)	5.6	2	9	28.4
				8			27.9
				11.2			27.9
		3/4		8			27.6
				11.2			27.5
				14			27.3
				16.8			27.2
1000		1/2	40 (1000)	5.6	3		45.8
				8			42.5
				11.2			42.5
		3/4		8			40.8
				11.2			39.9
				14			39.2
				16.8			38.6
1200	1/2	48 (1200)	5.6	3	57.4		
			8		52.2		
			11.2		52.2		
	3/4		8		49.6		
			11.2		48.2		
			14		47.1		
			16.8		46.1		
1500	1/2	60 (1500)	5.6	4	69.6		
			8		65		
			11.2		65		
	3/4		8		62.7		
			11.2		61.5		
			14		60.5		
			16.8		59.6		
1800	1/2	72 (1800)	5.6	4	81.8		
			8		77.8		
			11.2		77.8		
	3/4		8		75.8		
			11.2		74.7		
			14		73.9		
			16.8		73.1		

Intended use: Wet & Dry System

NOTE: Please refer to FM certificate for more details.

SHIELD reserves the right to change the contents without notice.

# Flexible Sprinkler Drop



## SDF-N (UL, LPCB)

Length mm	Rated Pressure		Outlet Connection in	Assembly Length ft (mm)	Maximum Number of 90° Bends	Minimum Bend Radius in	Equivalent Length of 1 in Schedule 40 pipe (c=120) ft
	UL psi	LPCB bar					
700	200	14	1 x ½	2.3 (700)	2	4	26
			1 x ¾				31
1000	200	14	1 x ½	3.3 (1000)	3	4	45
			1 x ¾				50
1200	200	14	1 x ½	3.9 (1200)	3	4	51
			1 x ¾				55
1500	200	14	1 x ½	4.9 (1500)	3	4	66
			1 x ¾				70
1800	200	14	1 x ½	5.9 (1800)	3	4	69
			1 x ¾				74

Intended use: Wet & Dry System

NOTE: Please refer to UL/LPCB certificates for more details.





# Flexible Sprinkler Drop

## Features:

Hose Diameter	28.8mm, OD (28.2mm, ID)
Max. Ambient Temperature	225°F (107°C)
End Connections	1/2" or 3/4" Outlet Reducer for Sprinklers (NPT/BSPT) 1" Inlet Nipple for Rigid Pipes (Threaded NPT/BSPT)
Hose Material	Stainless Steel 304
Reducer / Nipple Material	Carbon Steel

- 300 Series Stainless Steel Flexible Hose with Two Slip Nuts
- Hose Inlet Nipple (Threaded End - 1" NPT or BSPT)
- Hose Outlet Reducer (Sprinkler Connections - 1/2" or 3/4" / NPT or BSPT)

## Braided SDF-BA (UL)

Length mm	Rated Pressure Psi	Nominal Inlet by Outlet in	Assembly Length ft (mm)	Number of Bends	Minimum Bend Radius in	Equivalent Length of 1 in Schedule 40 pipe (c=120) ft
700	200	1 x 1/2	2.3 (700)	2	4	10
		1 x 3/4				16
1000		1 x 1/2	3.3 (1000)	3		23
		1 x 3/4				28
1200		1 x 1/2	3.9 (1200)	3		29
		1 x 3/4				34
1500		1 x 1/2	4.9 (1500)	3		36
		1 x 3/4				40
1800		1 x 1/2	5.9 (1800)	3		40
		1 x 3/4				45

NOTE: Please refer to UL certificate for more details.

# Flexible Sprinkler Drop



## SDF-BA (FM)

Length mm	Rated Pressure Psi	NPT in	Hose Assembly Length in (mm)	K-Factor	Number of Bends	Minimum Bend Radius in	Equivalent Length of 1 in Schedule 40 pipe
							ft
700	200	1/2	28 (700)	5.6	2	9	23
				8.0			20.5
				11.2			20.5
		3/4		8.0			16.1
				11.2			16.1
				14.0			15.5
1000	200	1/2	40 (1000)	5.6	3	9	33.5
				8.0			30
				11.2			30
		3/4		8.0			27.4
				11.2			27.4
				14.0			26
1200	200	1/2	48 (1200)	5.6	3	9	40.5
				8.0			37.5
				11.2			37.5
		3/4		8.0			35
				11.2			35
				14.0			34.5
1500	200	1/2	60 (1500)	5.6	4	9	44.9
				8.0			41
				11.2			41
		3/4		8.0			39.3
				11.2			39.3
				14.0			36
1800	200	1/2	72 (1800)	5.6	4	9	49.3
				8.0			46.5
				11.2			46.5
		3/4		8.0			43.7
				11.2			43.7
				14.0			40.5
				16.8			40.5

NOTE: Please refer to FM certificate for more details.



# Flexible Sprinkler Drop

## Unbraided SDF-NA (UL)

Length mm	Rated Pressure Psi	Outlet Connection in	Assembly Length ft (mm)	Maximum Number of 90° Bends	Minimum Bend Radius in	Equivalent Length of 1 in Schedule 40 pipe (c=120) ft			
700	200	1 x ½	2.3 (700)	2	4	17			
		1 x ¾				20			
1000		1 x ½	3.3 (1000)	3		30			
		1 x ¾				34			
1200		1 x ½	3.9 (1200)			3	36		
		1 x ¾					35		
1500		1 x ½	4.9 (1500)				3	38	
		1 x ¾						48	
1800		1 x ½	5.9 (1800)					3	50
		1 x ¾							55

Intended use: Wet & Dry System

NOTE: Please refer to UL certificate for more details.

SHIELD reserves the right to change the contents without notice.

# Flexible Sprinkler Drop



## Features:

Hose Diameter	26.7mm, OD (21.2mm, ID)
Max. Ambient Temperature	225°F (107°C)
End Connections	1/2" or 3/4" Outlet Reducer for Sprinklers (NPT/BSPT) 1" Inlet Nipple for Rigid Pipes (Threaded NPT/BSPT)
Hose Material	Stainless Steel 304
Reducer / Nipple Material	Carbon Steel

- 300 Series Stainless Steel Flexible Hose with Two Slip Nuts
- Hose Inlet Nipple (Threaded End - 1" NPT or BSPT)
- Hose Outlet Reducer (Sprinkler Connections - 1/2" or 3/4" / NPT or BSPT)

## SDF-BC (UL)

Length mm	Rated Pressure Psi	Outlet Connection in	Assembly Length ft (mm)	Maximum Number of 90° Bends	Minimum Bend Radius in	Equivalent Length of 1 in Schedule 40 pipe (c=120) ft
700	175	1 x 1/2	2.3 (700)	2	4	16
		1 x 3/4				17
790		1 x 1/2	2.6 (790)	2		22
		1 x 3/4				23
915		1 x 1/2	3.0 (915)	3		30
		1 x 3/4				30
1000		1 x 1/2	3.3 (1000)	3		32
		1 x 3/4				41
1200		1 x 1/2	3.9 (1200)	3		41
		1 x 3/4				43
1500		1 x 1/2	4.9 (1500)	3		43
		1 x 3/4				44
1800	1 x 1/2	5.9 (1800)	3	48		
	1 x 3/4			47		

NOTE: Please refer to UL certificate for more details.

# Flexible Sprinkler Drop

## SDF-BC (FM)

Length mm	Rated Pressure psi	NPT	Hose Assembly Length in (mm)	K-Factor	Number of Bends	Minimum Bend Radius in	Equivalent Length of 1 in Schedule 40 pipe ft
700	232	1/2	27.5 (700)	5.6	1	10	24.2
		3/4		8.0			20.6
790		1/2	31.1 (790)	5.6	2		29.3
		3/4		8.0			25.7
915		1/2	36 (915)	5.6	2		36.4
		3/4		8.0			32.8
1000		1/2	39.4 (1000)	5.6	3		41.2
		3/4		8.0			37.7
1200		1/2	47.2 (1200)	5.6	3		52.5
		3/4		8.0			49.1
1500		1/2	59.1 (1500)	5.6	4		69.6
		3/4		8.0			66.2
1800	1/2	70.9 (1800)	5.6	4	86.6		
	3/4		8.0		83.4		

## SDF-NC (UL)

Length mm	Rated Pressure Psi	Outlet Connection in	Assembly Length ft (mm)	Maximum Number of 90° Bends	Minimum Bend Radius in	Equivalent Length of 1 in Schedule 40 pipe (c=120) ft
700	175	1 x 1/2	2.3 (700)	2	4	28
		1 x 3/4				30
790		1 x 1/2	2.6 (790)	2		32
		1 x 3/4				34
1000		1 x 1/2	3.3 (1000)	3		49
		1 x 3/4				51
1200		1 x 1/2	3.9 (1200)	3		55
		1 x 3/4				56
1500		1 x 1/2	4.9 (1500)	3		73
		1 x 3/4				74
1800		1 x 1/2	5.9 (1800)	3		83
		1 x 3/4				83

NOTE: Please refer to UL/FM certificates for more details.

# Flexible Sprinkler Drop



## SDF-BCA (UL)

Length mm	Rated Pressure Psi	Outlet Connection in	Assembly Length ft (mm)	Maximum Number of 90° Bends	Minimum Bend Radius in	Equivalent Length of 1 in Schedule 40 pipe (c=120) ft
700	200	1 x 1/2	2.3 (700)	2	2	7
		1 x 3/4				14
790		1 x 1/2	2.6 (790)	4		14
		1 x 3/4				19
915		1 x 1/2	3.0 (915)	5		18
		1 x 3/4				23
1000		1 x 1/2	3.3 (1000)	5		20
		1 x 3/4				24
1200		1 x 1/2	3.9 (1200)	8		30
		1 x 3/4				35
1500		1 x 1/2	4.9 (1500)	10		40
		1 x 3/4				44
1800		1 x 1/2	5.9 (1800)	12		48
		1 x 3/4				54

## SDF-BCA (FM)

Length mm	Rated Pressure Psi	NPT in	Hose Assembly Length in (mm)	K-Factor	Number of Bends	Minimum Bend Radius in	Equivalent Length of 1 in Schedule 40 pipe ft
700	232	1/2	27.5 (700)	5.6	1	6.89	20.3
				8.0			23.4
				11.2			39.7
		3/4		8.0			9.7
				11.2			11.6
				14.0			11.8
790		1/2	31.1 (790)	16.8	2		22.3
				5.6			25.3
				8.0			41.7
		3/4		8.0			11.9
				11.2			13.5
				14.0			13.7
915	1/2	36 (915)	16.8	2	25.1		
			5.6		28.0		
			8.0		44.5		
	3/4		8.0		14.8		
			11.2		16.1		
			14.0		16.3		
			16.8		16.1		

NOTE: Please refer to UL certificate for more details.



# Flexible Sprinkler Drop

## SDF-BCA (FM)

Length mm	Rated Pressure Psi	NPT in	Hose Assembly Length in (mm)	K-Factor	Number of Bends	Minimum Bend Radius in	Equivalent Length of 1 in Schedule 40 pipe
							ft
1000	232	1/2	39.4 (1000)	5.6	2	6.89	27
				8.0			29.8
				11.2			46.4
		3/4		8.0			16.8
				11.2			17.9
				14.0			18.1
1200		1/2	47.2 (1200)	5.6	3		31.6
				8.0			34.0
				11.2			50.8
		3/4		8.0			21.6
				11.2			22.2
				14.0			22.3
1500	1/2	59.1 (1500)	5.6	4	38.3		
			8.0		40.3		
			11.2		57.5		
	3/4		8.0		28.7		
			11.2		28.6		
			14.0		28.3		
1800	1/2	70.9 (1800)	5.6	4	45.1		
			8.0		46.6		
			11.2		64.2		
	3/4		8.0		35.8		
			11.2		34.9		
			14.0		34.9		
				16.8			34.5

# Flexible Sprinkler Drop



## Features:

Hose Diameter	28.8mm, OD (28.2mm, ID)
Max. Ambient Temperature	225°F (107°C)
End Connections	1/2" or 3/4" Outlet Reducer for Sprinklers (NPT/BSPT) 1" Inlet Nipple for Rigid Pipes (Threaded NPT/BSPT)
Hose Material	Stainless Steel 304
Reducer / Nipple Material	Carbon Steel

- 300 Series Stainless Steel Flexible Hose with Two Slip Nuts
- Hose Inlet Nipple (Threaded End - 1" NPT or BSPT)
- Hose Outlet Reducer (Sprinkler Connections - 1/2" or 3/4" / NPT or BSPT)

## SDF-BD (UL)

Length mm	Rated Pressure Psi	Outlet Connection in	Assembly Length ft (mm)	Maximum Number of 90° Bends	Minimum Bend Radius in	Equivalent Length of 1 in Schedule 40 pipe (c=120) ft	
700	200	1 x 1/2	2.3 (700)	3	3	18	
		1 x 3/4				20	
1000		1 x 1/2	3.3 (1000)	5		23	
		1 x 3/4				24	
1200		1 x 1/2	3.9 (1200)	7		3	29
		1 x 3/4					31
1500		1 x 1/2	4.9 (1500)	9			39
		1 x 3/4					40
1800	1 x 1/2	5.9 (1800)	12	50			
	1 x 3/4			70			

Intended use: Wet & Dry System



NOTE: Please refer to UL certificate for more details.



# Flexible Sprinkler Drop

## SDF-BD (FM)

Length mm	Rated Pressure Psi	NPT in	Hose Assembly Length in (mm)	K-Factor	Number of Bends	Minimum Bend Radius in	Equivalent Length of 1 in Schedule 40 pipe ft
700	175	1/2	27.5 (700)	5.6	1	9	22.9
		3/4		8.0			15.7
1000		1/2	39.6 (1000)	5.6	2		34.6
		3/4		8.0			26.9
1200		1/2	46.8 (1200)	5.6	3		41.0
		3/4		8.0			34.8
1500		1/2	58.8 (1500)	5.6	4		50.4
		3/4		8.0			43.8
1800	1/2	70.8 (1800)	5.6	4	58.5		
	3/4		8.0		53.4		

## SDF-ND (UL)

Length mm	Rated Pressure Psi	Outlet Connection in	Assembly Length ft (mm)	Maximum Number of 90° Bends	Minimum Bend Radius in	Equivalent Length of 1 in Schedule 40 pipe (c=120) ft
700	200	1 x 1/2	2.3 (700)	2	4	32
		1 x 3/4				31
1000		1 x 1/2	3.3 (1000)	3		55
		1 x 3/4				50
1200		1 x 1/2	3.9 (1200)	3		64
		1 x 3/4				57
1500		1 x 1/2	4.9 (1500)	3		75
		1 x 3/4				68
1800	1 x 1/2	5.9 (1800)	3	81		
	1 x 3/4			79		

Intended use: Wet & Dry System

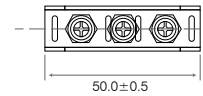
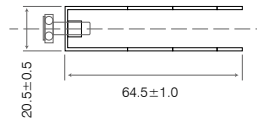
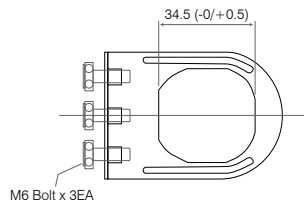
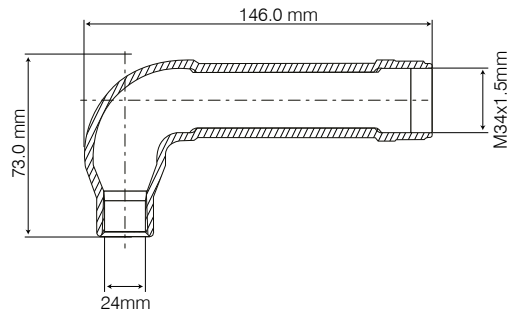
NOTE: Please refer to UL/FM certificate for more details.

SHIELD reserves the right to change the contents without notice.

# Flexible Sprinkler Drop

## Elbow & Bracket:

Name	Specification
Square bar	700mm, 0.8t
Elbow	M34 x 1/2"NPT, 90L
Center Bracket	Open gate type
Center Bracket	Closed type
Square bar	1300mm, 0.8t
Square bar	700mm, 0.8t
Nipple	M34 x 1"NPT, 60L
Rubber Ring	OD:31.6 / ID:26.6 / T:3.5
Reducer	M34 x 1/2"NPT, 110L
Reducer	M34 x 3/4"NPT, 110L
Reducer	M34 x 1/2"NPT, 150L
Side Bracket	58mm, Screw bolt
Side Bracket	98mm, Screw bolt
Side Bracket	38mm, Screw bolt
Side Bracket	68mm, Wing bolt
Side Bracket	98mm, Wing bolt



## Inlet Nipple

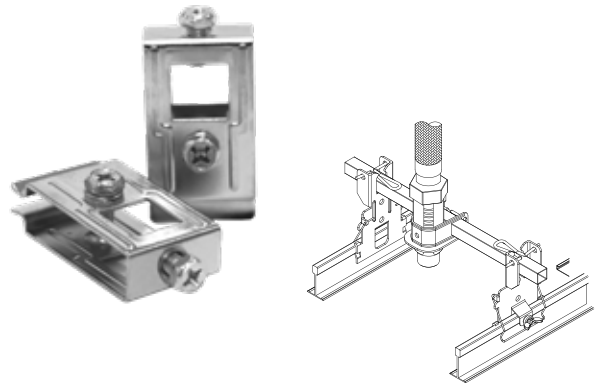


SDF-N25

## Bottom Up Reducer



## Wing Bracket



## Centre Bracket



## Square Bar



SHIELD<sup>TM</sup>

*Trusted Worldwide*



For further information on any aspect of the SHIELD range of Flexible Sprinkler please contact your nearest office.

**UNITED KINGDOM**

Unit 3, Endeavour Drive,  
Basildon - Essex SS14 3WF,  
United Kingdom  
Email: [shielduk@shieldglobal.com](mailto:shielduk@shieldglobal.com)  
Tel: +44 1708 377731  
Fax: +44 1708 347637

**MIDDLE EAST & AFRICA**

Jebel Ali Free Zone, Dubai, UAE  
Email: [shieldme@shieldglobal.com](mailto:shieldme@shieldglobal.com)  
Tel: +971 4 881 2070  
Fax: +971 4 881 2198